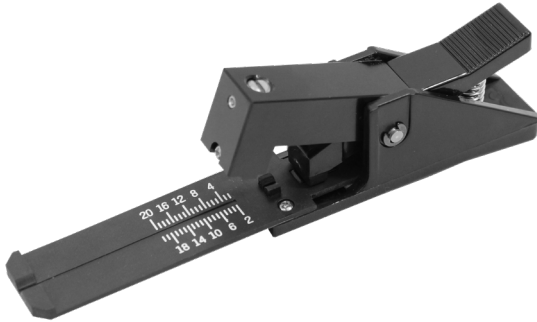


# INSTRUCTION MANUAL



## FCL100 Field Fiber Optic Cleaver



Read and understand all of the instructions and safety information in this manual before operating or servicing this tool.

Register this product at [www.TempoCom.com](http://www.TempoCom.com)



### SAFETY ALERT SYMBOL

This symbol is used to call your attention to hazards or unsafe practices which could result in an injury or property damage. The signal word, defined below, indicates the severity of the hazard. The message after the signal word provides information for preventing or avoiding the hazard.

#### ▲ DANGER

Immediate hazards which, if not avoided, WILL result in severe injury or death.

#### ▲ WARNING

Hazards which, if not avoided, COULD result in severe injury or death.

#### ▲ CAUTION

Hazards or unsafe practices which, if not avoided, MAY result in injury or property damage.



#### ▲ WARNING

Read and understand all of the instructions and safety information in this manual before operating or servicing this tool.  
Failure to observe this warning could result in severe injury or death.

#### ▲ WARNING

Electric shock hazard:

- Do not operate in an explosive atmosphere such as in the presence of flammable gases or fumes.
- Before applying power, verify that the unit is set to match the available line voltage.

Failure to observe these warnings could result in severe injury or death.

## Description

The Field Fiber Optic Cleaver, FCL100 cleaves fiber optic cables for use with mechanical connectors and Bare Fiber Adapters. It can also be used with fusion splicers on a limited basis.

## Specifications:

- 125 micron fiber
- 2.0mm to 20.0mm cleave lengths
- Size: 4.88" x 0.79" x 1.57" (124mm x 20mm x 40mm)
- Weight: 0.13lbs (60g)
- Spring activated

# Operation

## 1. Strip and Clean Fiber

Remove approximately 1.5" (39mm) of the primary and secondary coatings from the fiber. Clean all residue from the fiber using 99.9% pure isopropyl alcohol and a lint free wipe.

## 2. Set Fiber in Cleaver

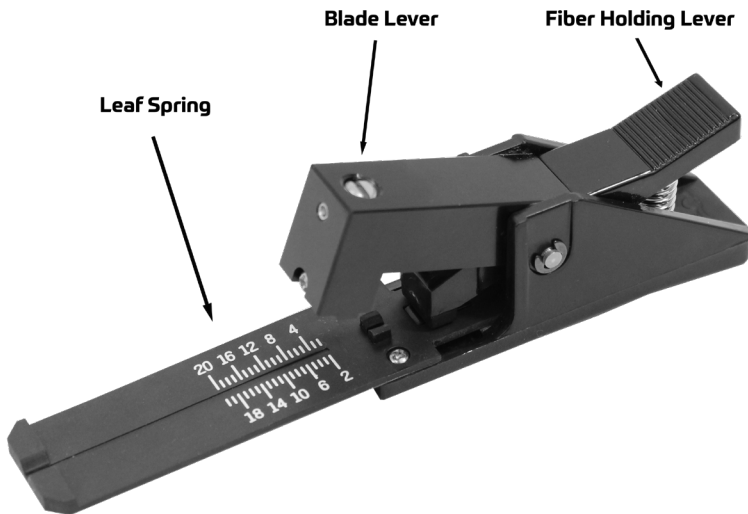
Press the fiber holding lever down and insert the cleaned fiber into the V groove until the tight buffer reaches the mark on the scale for the desired cleave length. Release the fiber holding lever so that the fiber is held in place. Hold the fiber on the leaf spring and reopen the fiber holding clamp using the lever to release any torsional stress. Allow the holding clamp to once again hold the fiber.

## 3. Score Fiber

Lightly and slowly press the blade lever down to "score" the fiber while holding the fiber against the leaf spring. Release the blade lever. Do not attempt to cut the fiber. Do not attempt two scores of the same fiber.

## 4. Cleave Fiber

Carefully bend the leaf spring down while continuing to hold the fiber against leaf spring. Bend the leaf spring just enough to cause the fiber to cleave. Do not overbend the leaf spring as this may damage the leaf spring. Release the fiber end cut from the fiber holding mechanism. Dispose of the fiber end cut in an approved disposal unit.



### Tempo Communications

1390 Aspen Way • Vista, CA 92081 • USA

800-642-2155

Tempo Europe Ltd. • Brecon House, William Brown Close

Cwmbran, NP44 3AB, UK • Tel: +44 1633 927 050

[www.TempoCom.com](http://www.TempoCom.com)